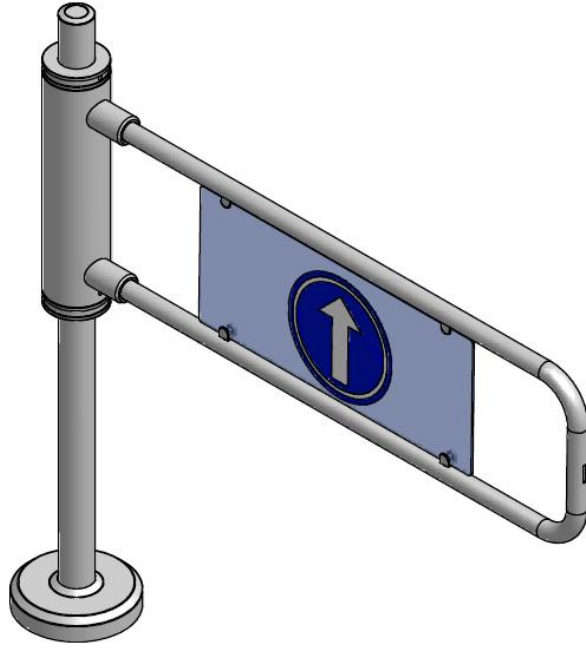




MACHINERY TECHNOLOGY



**GKM-T80 LEAF TURNSTILE
MAINTENANCE & USER
MANUAL**

**Sürüm
Version V1.00**

SEPTEMBER 2011 - ANKARA

CONTENT

BEFORE YOU START	2
1. SAFETY INSTRUCTION	2
2. USER INSTRUCTION	2
3. T80 LEAF TURNSTILE TECHNICAL SPECIFICATION	3
4. T80 LEAF TURNSTILEE MOUNTING INSTRUCTION	4

Before You Start

Thank you for purchasing T250 Electro-mechanic Turnstile. Please, carefully read the instructions contained in this manual for a long and smooth operation of the turnstile and keep the manual for future references.

1. SAFETY INSTRUCTION



It is recommended to read all safety and maintenance instructions before installing and using the turnstile.

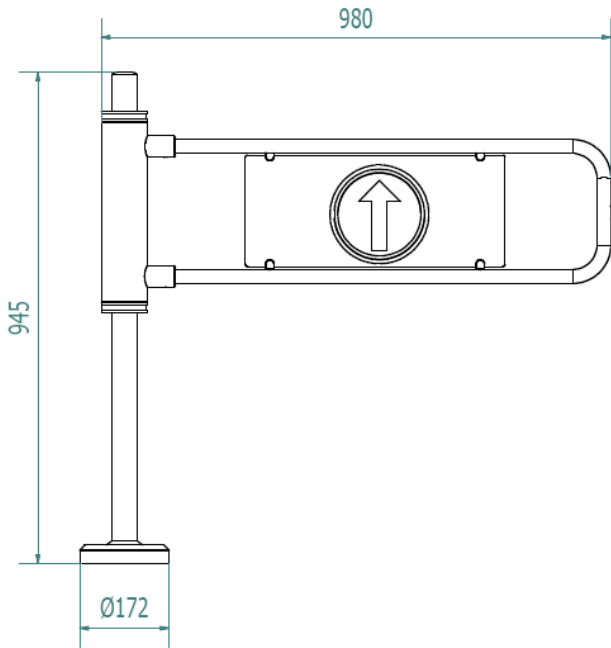
2. Read the manual, before operating the turnstile.
3. Do not open the turnstile, due to safety precautions. Any repairment must be done only by authorized services. Modifications made by user may result in danger for the turnstile and people.
4. Comply with the operating temperature range specified in the technical specifications of turnstile.
5. Use certificated spare parts and accessories approved and allowed by the producer.
6. In any problem, do not use turnstile and call an authorized service.
7. During the cleaning and maintenance, cut off the electrical connections. Otherwise damage to the parts may result.
8. Use wet rag for cleaning.
9. Keep the turnstile away from over heated or fire environment. Over heat may result in a damage to the turnstile.

2. USER INSTRUCTION

1. In case of not functioning properly, avoid actions that may result in damage to the turnstile.
2. In case of any malfunctioning, in order to avoid further damage to the system, should the system be taken in idle state or mustn't be used.
3. Substances harmful to turnstile mustn't be used for cleaning.

The manufacturer will not accept any responsibility for any inquiry or damage resulting from incompliance with the security and safety instructions indicated above.

3. T80 LEAF TURNSTILE TECHNICAL SPECIFICATIONS

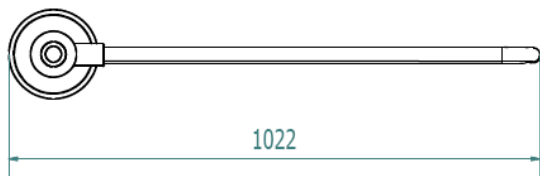


*NICKEL-PLATING BODY AND GATE

*MANUAL OPENING AND AUTOMATICAL CLOSING

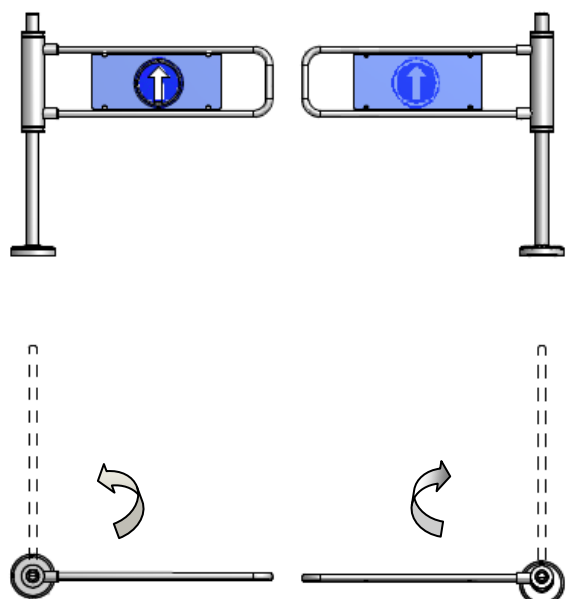
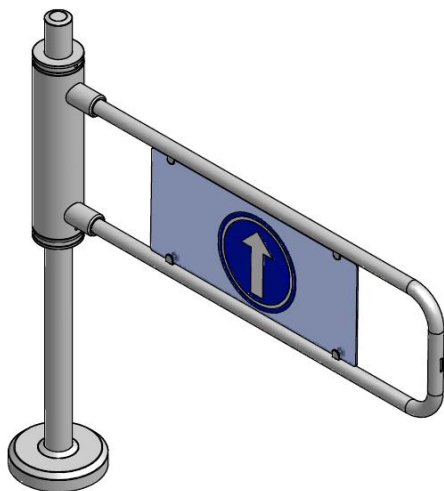
*ONE WAY CONTROL

*SIGN ON PLEXI DOOR PLATE ACCORDING TO FIELD OF USE (HANDICAPPED / STOP SIGN ETC.)



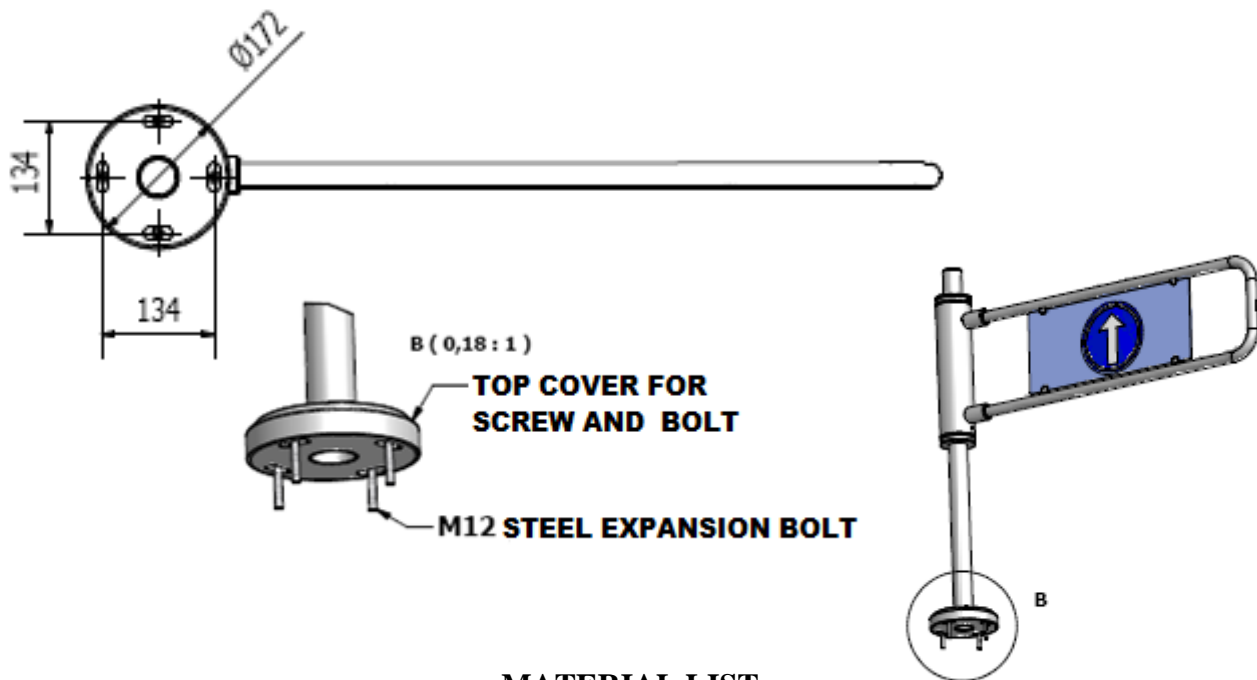
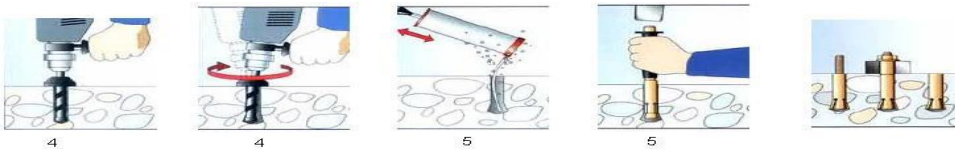
*CLOCK WISE OR COUNTER CLOCK WISE USAGE.

*10 KG WEIGHT



4.T80 LEAF TURNSTILE MOUNTING INSTRUCTION

1. Select a proper location so as not to obstruct turnstile's operation.
2. Check the structure of the ground of installation site to ensure the necessary stability requirements.
3. Mark the hole places on the ground in which the turnstile will be mounted.
4. Drill the marked mounting holes by $\varnothing 10$ drill bit and clean the dust inside the hole by the help of the air.
5. Fix the steel anchors to the drilled holes. If the ground is not strong, fix the steel anchors after using chemical soil mixture. (Wait 20 minutes for hardening of chemical soil mixture)
6. Put the mounting plate on the steel anchors and after putting the washer and nuts, fix the ground.
7. After putting the turnstile on the fixed mounting frames, screw the bolts connecting the turnstile and mounting plate to each other.



MATERIAL LIST

A	B	C	D
M12. Steel Anchor	M12Washer	M10Nut	M10Washer
4 pieces	4 pieces	4 pieces	4 pieces



FABRİKA/FACTORY

Sincan Organize Sanayi Bölgesi
Erkunt Caddesi No:20, Sincan
ANKARA/TÜRKİYE
TEL: (+90.312) 267 56 87
FAX: (+90.312) 267 56 99
satis@makim.com.tr

ŞUBE/BRANCH

Perpa Ticaret Merkezi
A Blok Kat: 11
No:1421, Şişli
İSTANBUL/TÜRKİYE
TEL: (+90.212) 210 29 41
FAX: (+90.212) 210 68 15
sube@makim.com.tr