

Control /Operation Voltage :24VDC \pm %20

Power Consumption :30W

Passing Block :With controlled turning tripod arms positioned with 120 degrees

Tripod Locking :With 24 V DC selenoids; locks when the selenoids are pulled.
(In Emergency, system is shut down

and turnstiles provide free passing in both directions.)

Passing Direction Control :Free bi-directional entry-exit control

Tripod Position Dedection :Direction of the tripod position with two microswitches.

Motion Control :When the cycle starts to one direction,
the reverse is blocked and after a half turn the rest of the cycle is completed, automatically and smoothly by a hydraulic shock absorber.

Installation :Simple & easy installation with a special pedestal.

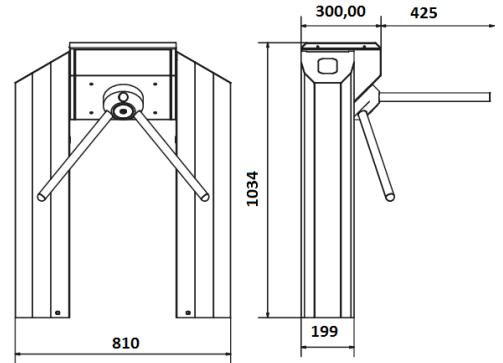
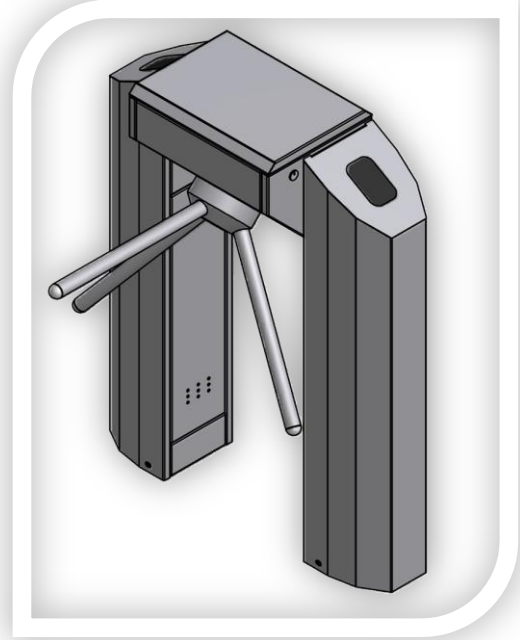
Operation Temperature :- 20° C - + 70° C

Indicators :One light indicator on both directions

Dimensions :300x810x1034 mm

Weight :50 kg

Optional Accesories :Drop-arm, remote control, button unit.



- **304 Stainless Steel Body**
- **Easy to Use, Bi-directional Control**
- **Strong Ergonomic Design**
- **% 100 Turkish, Production Continuity**
- **Certified Quality**
- **Continuous Service and Spare Parts Support**